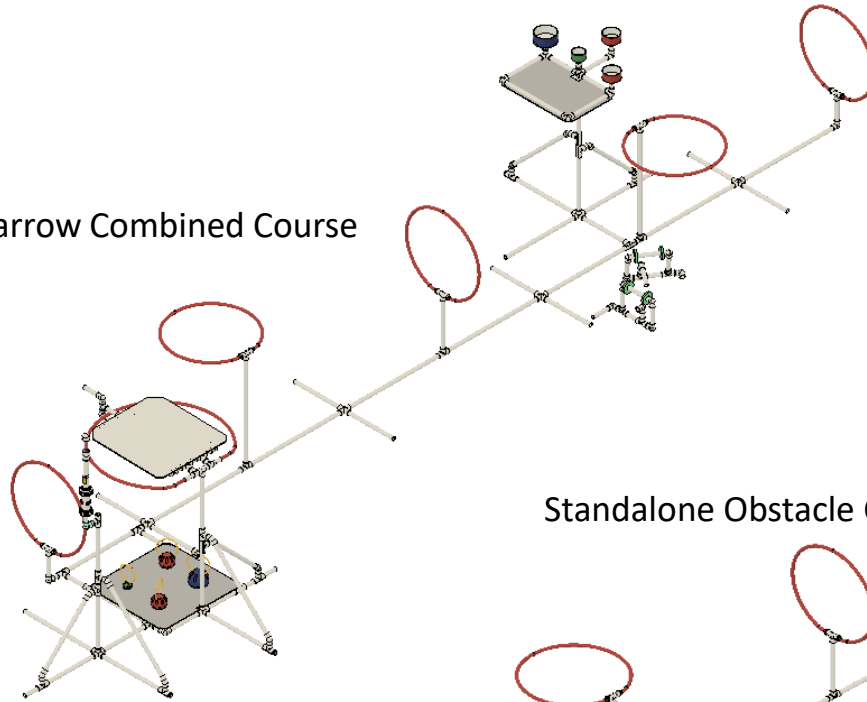
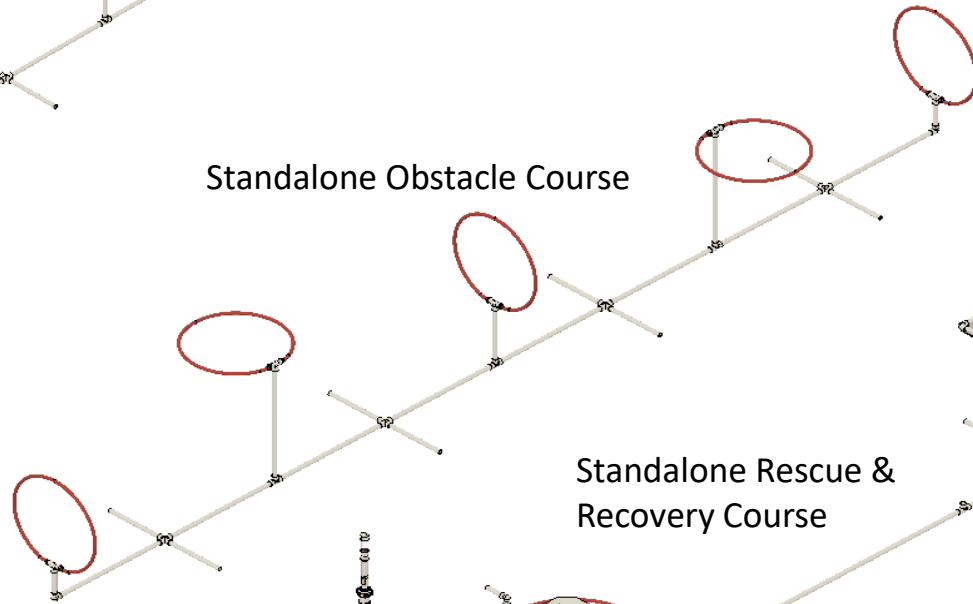




Narrow Combined Course



Standalone Obstacle Course



Standalone Rescue & Recovery Course

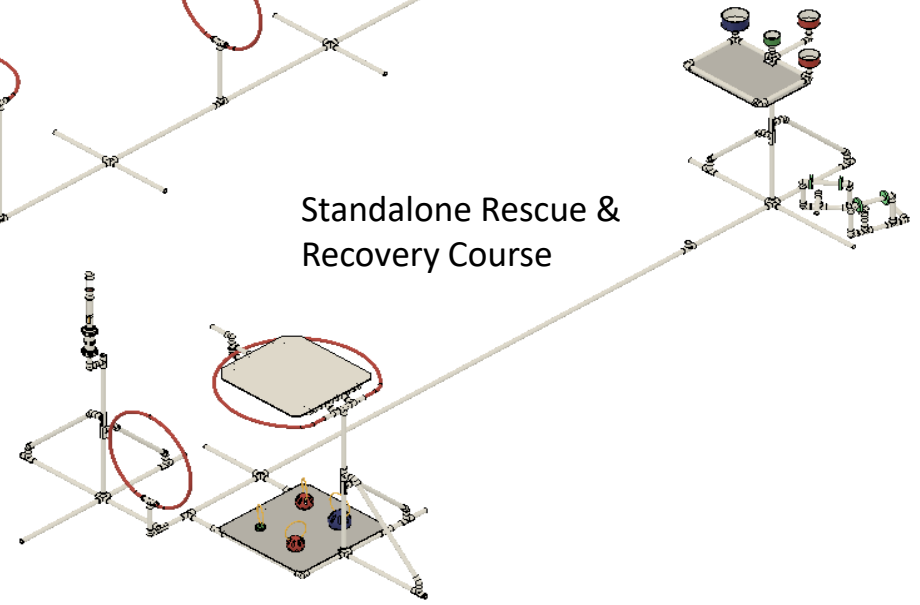




Table of Contents

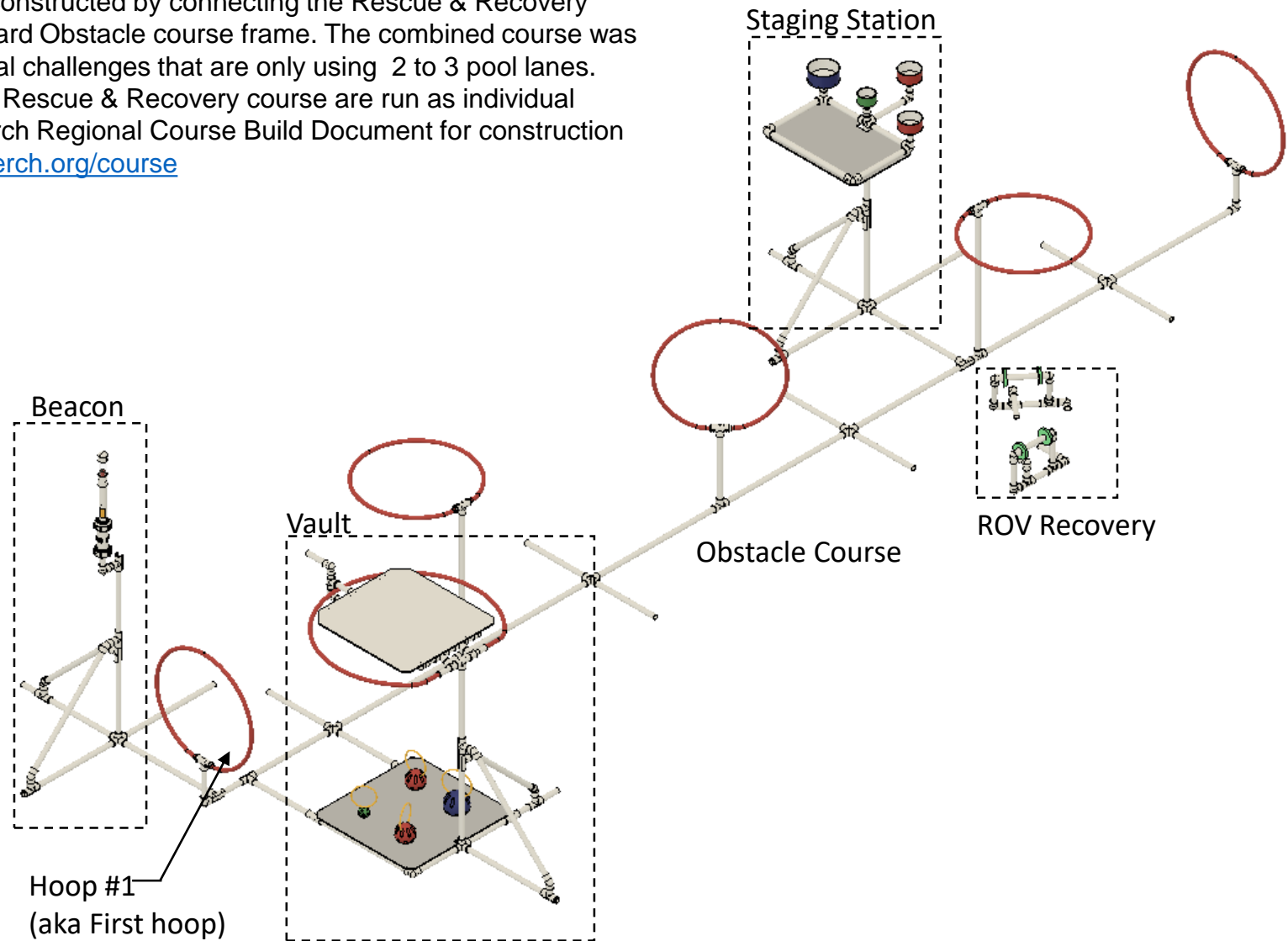
1. Combined Course.....	3
2. Recommended Course Offset Distance from Pool Wall.....	4
3. Narrow Combined Course	5
4. Standalone Courses.....	11
5. Vault Gate Latch Modification.....	12
6. Vault Gate Buoyancy.....	13
7. Vault Gate Drain Holes.....	14
8. Task Stands Gate Drain Holes.....	15
9. Task Stands without a 5-Way Tee.....	16
10. Leveling Task Stands on Sloped Pool Floor.....	17



2019 SeaPerch Regional Challenge Course Options & Recommendations

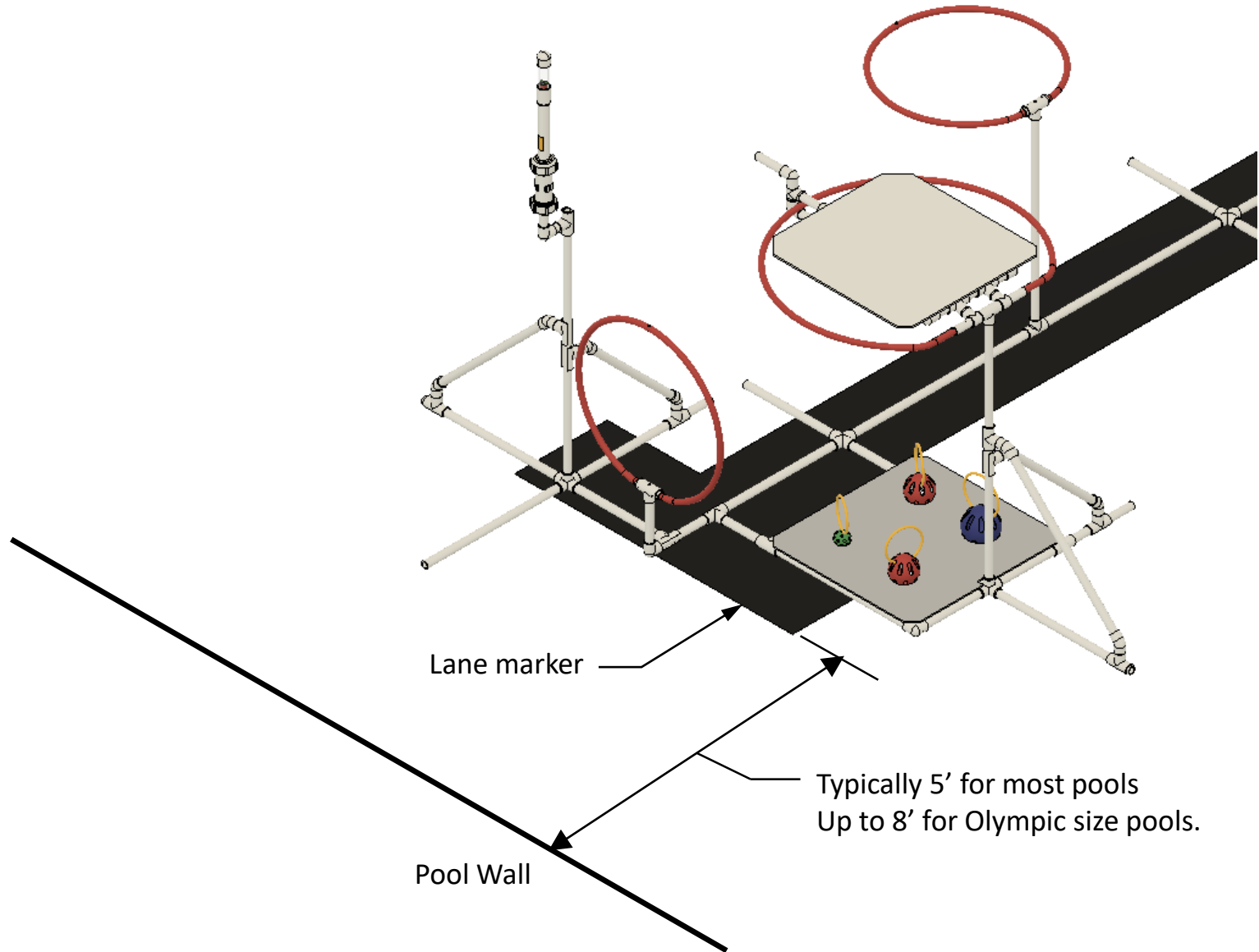
Combined Course

The combined course is constructed by connecting the Rescue & Recovery course tasks to the standard Obstacle course frame. The combined course was designed for small regional challenges that are only using 2 to 3 pool lanes. The Obstacle course and Rescue & Recovery course are run as individual events. See 2019 SeaPerch Regional Course Build Document for construction details. <https://www.seaperch.org/course>





Recommended Course Offset Distance from Pool Wall

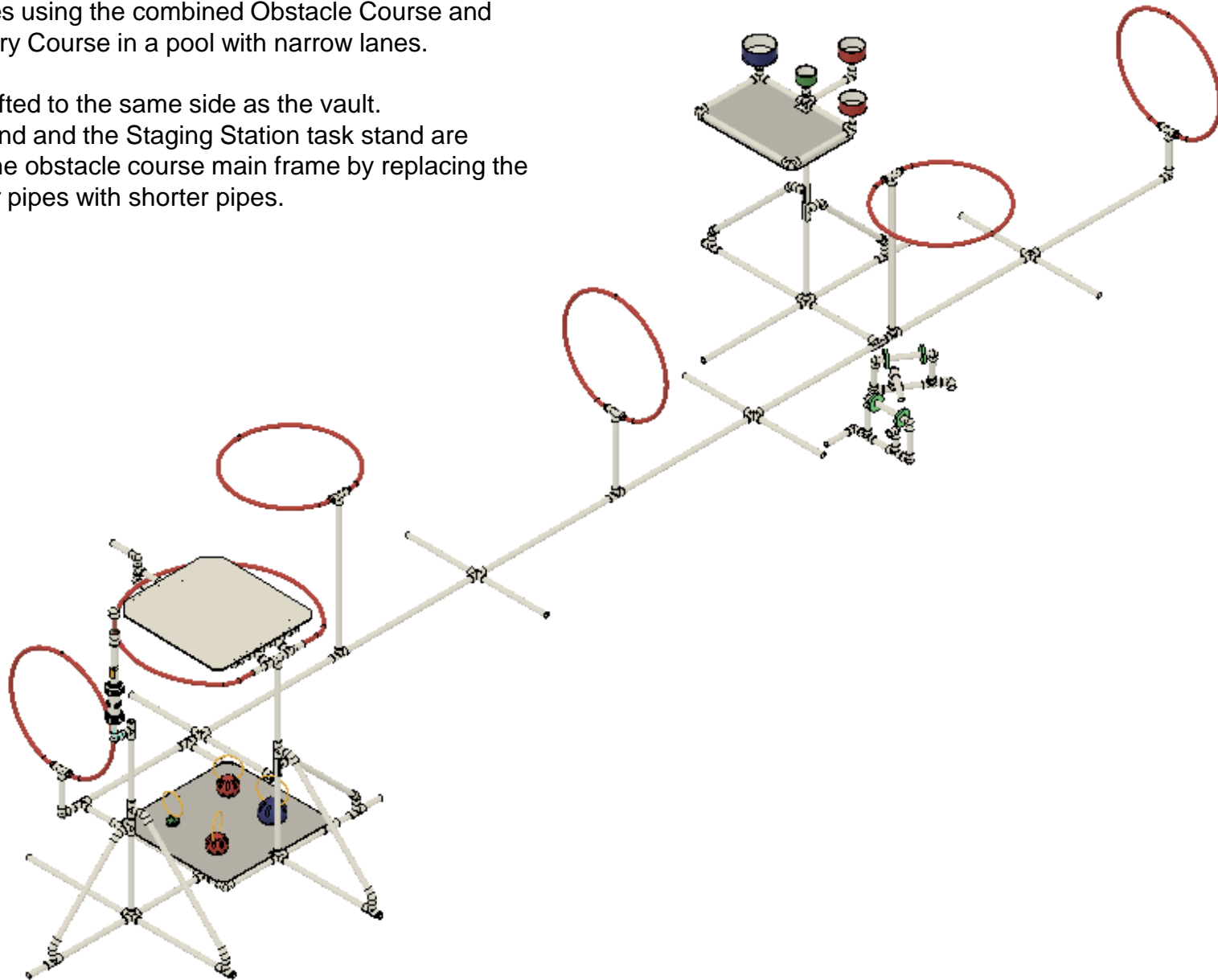




Narrow Combined Course

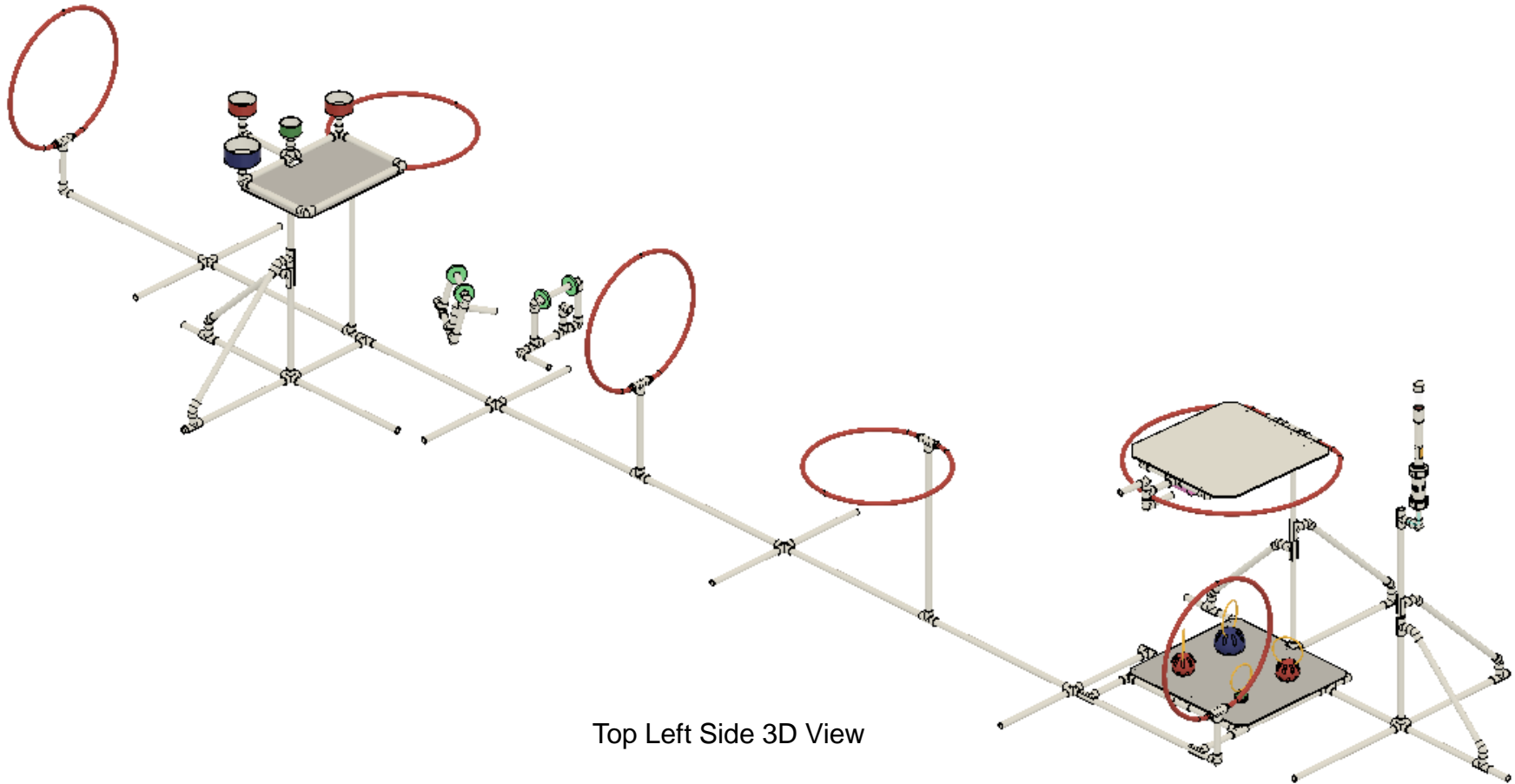
The width of the combined course can easily be adjusted for regional challenges using the combined Obstacle Course and Rescue & Recovery Course in a pool with narrow lanes.

The Beacon is shifted to the same side as the vault. The Vault task stand and the Staging Station task stand are moved closer to the obstacle course main frame by replacing the existing connector pipes with shorter pipes.





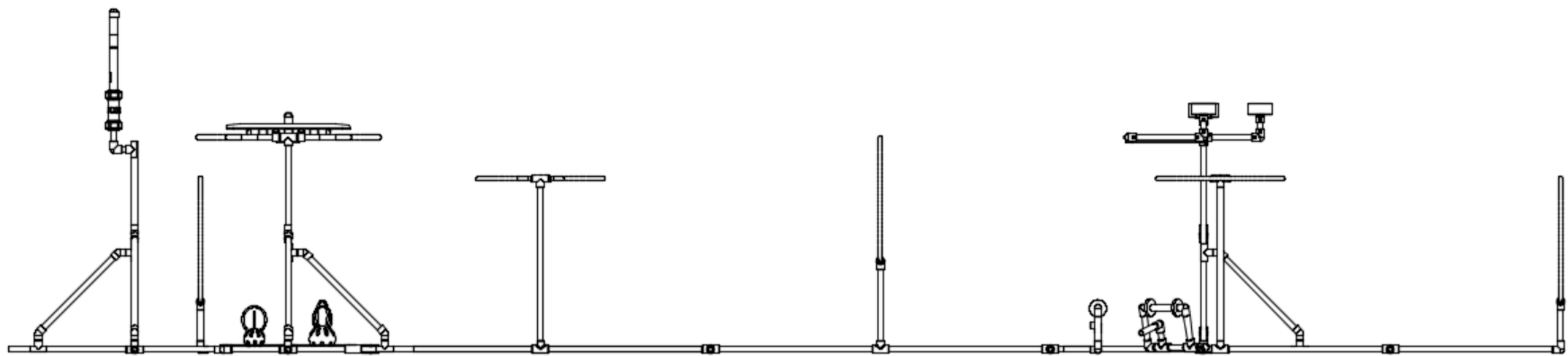
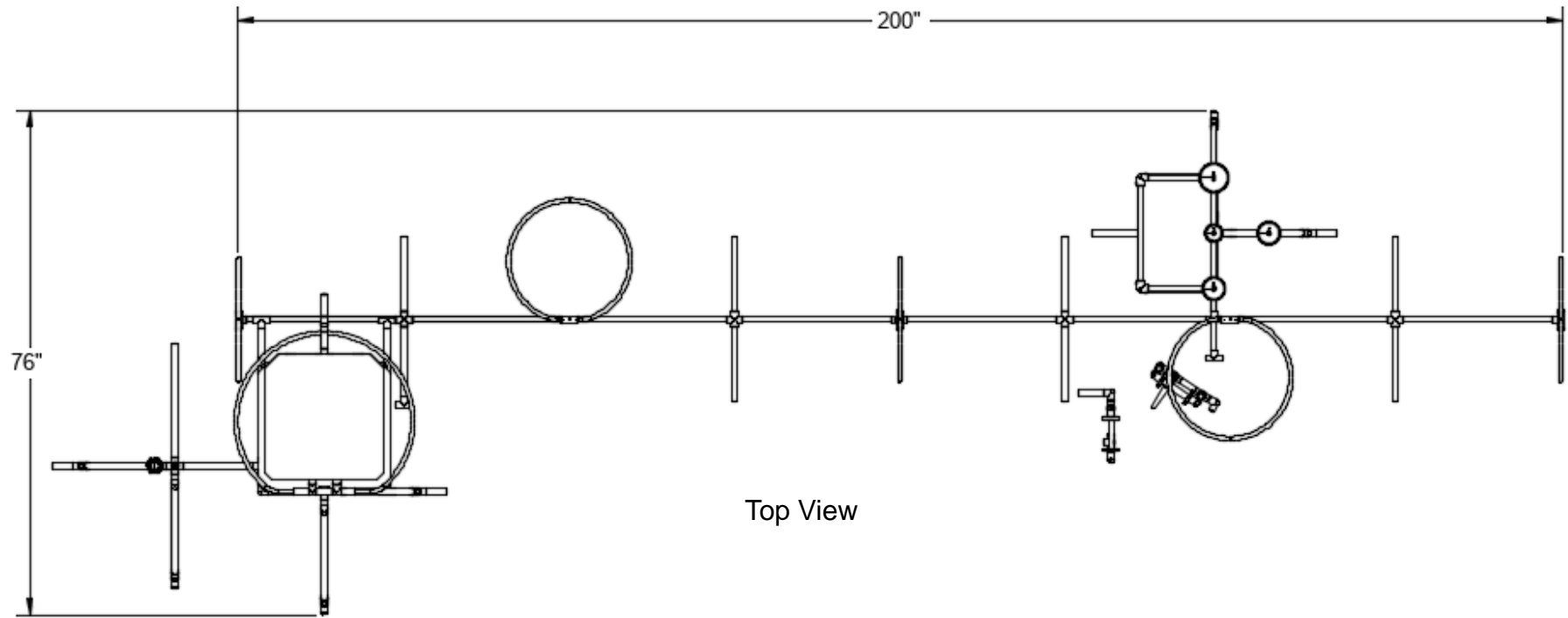
Narrow Combined Course



Top Left Side 3D View



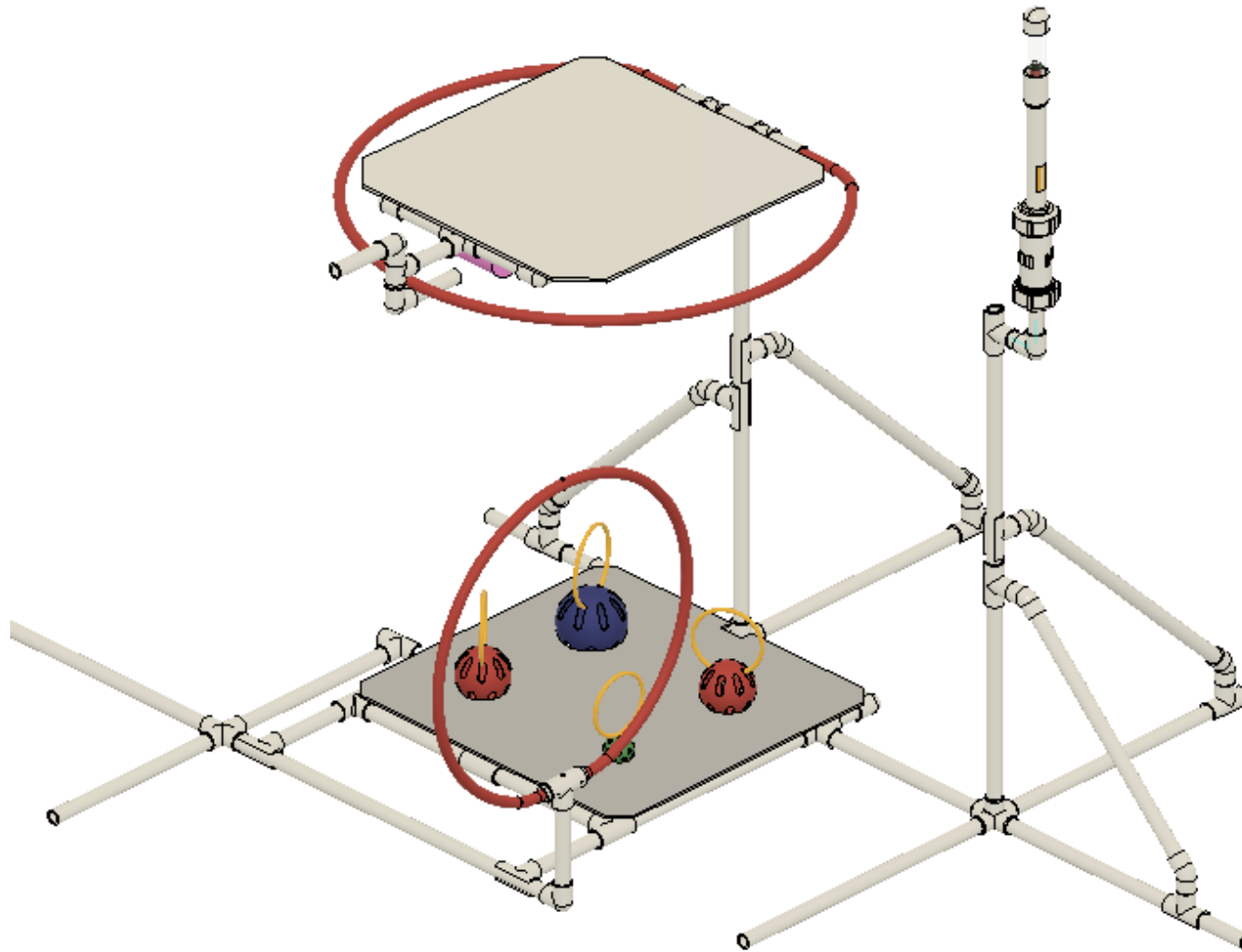
Narrow Combined Course



Side View



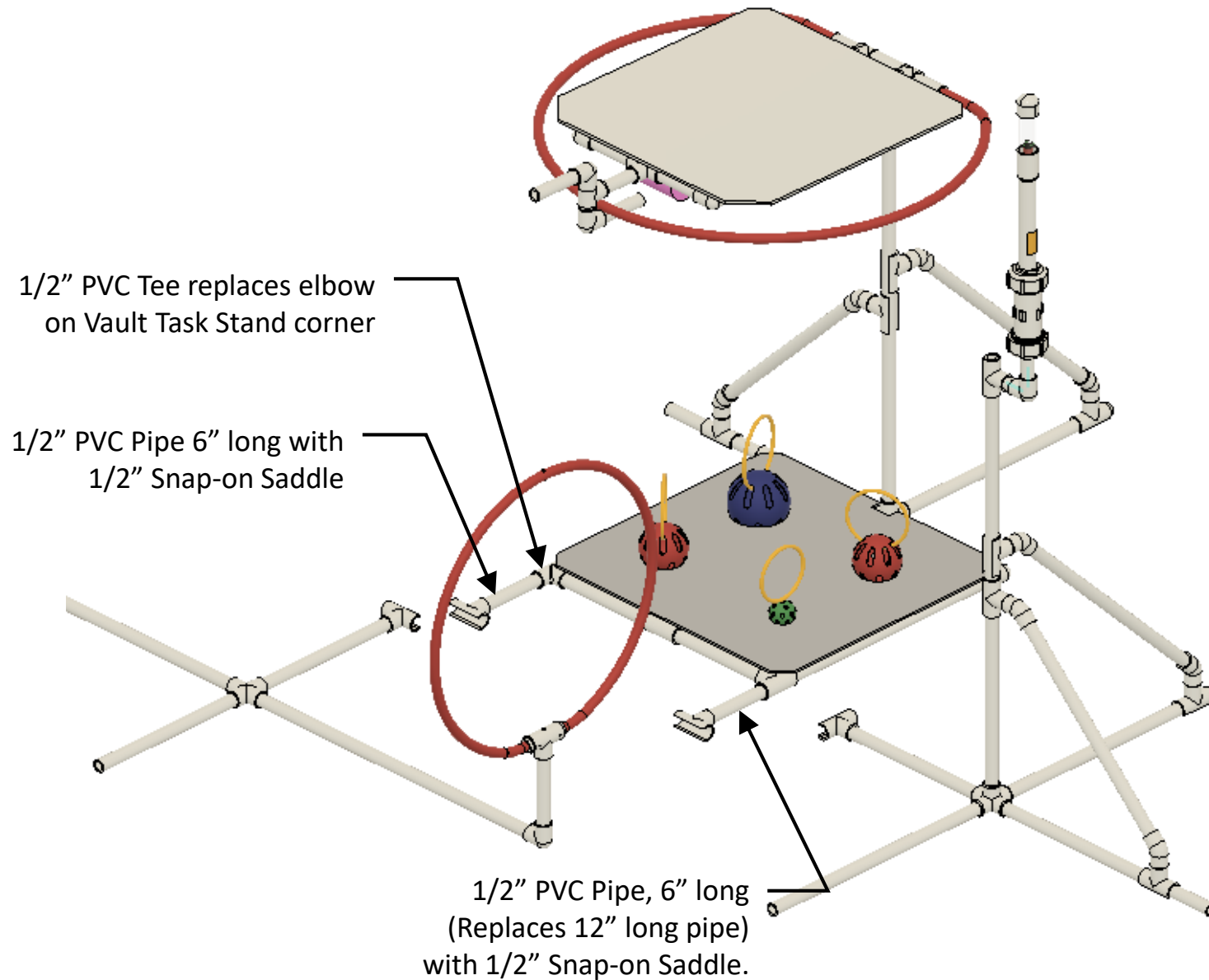
Narrow Combined Course



Beacon and Vault Tasks Closeup View



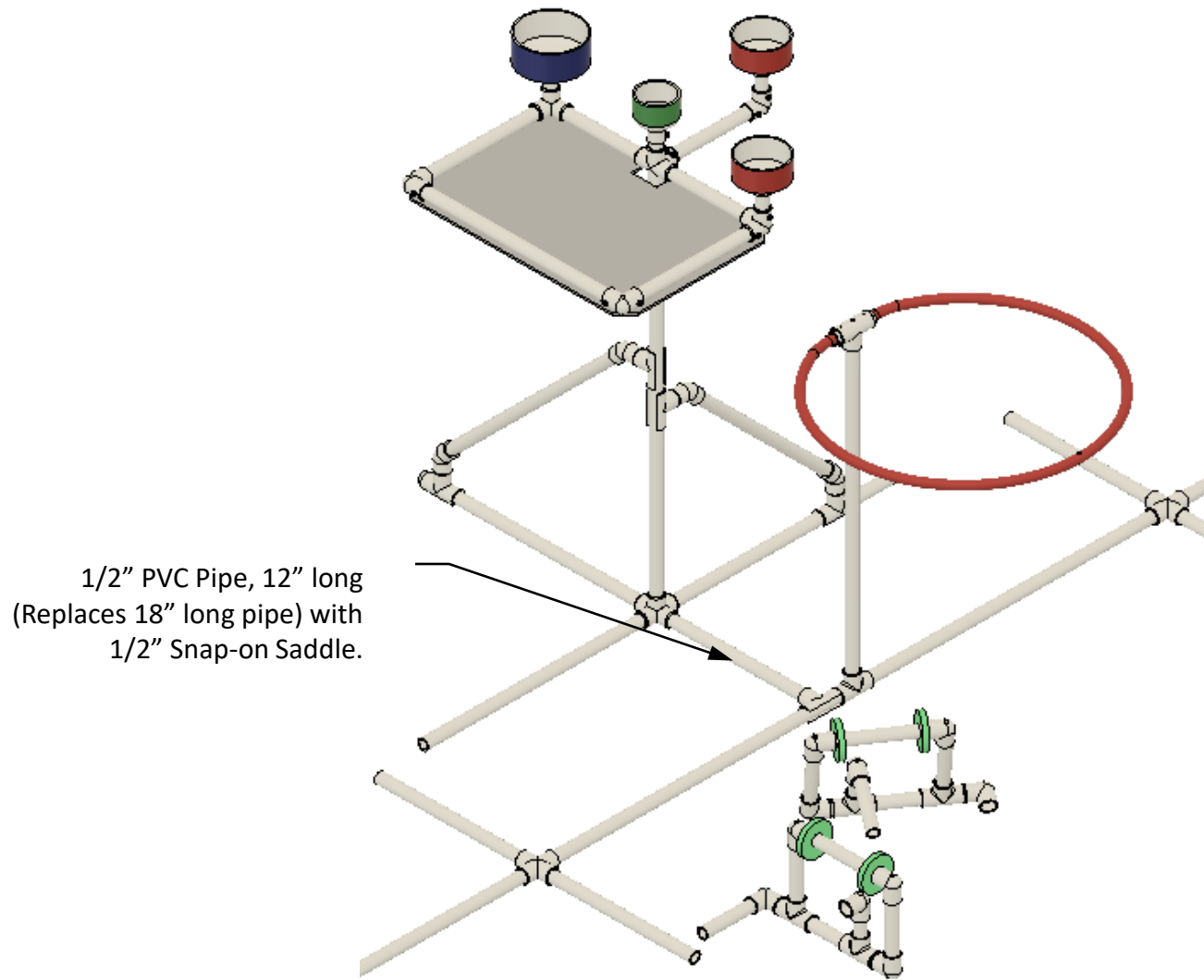
Narrow Combined Course



Beacon and Vault Tasks Closeup Detail View



Narrow Combined Course

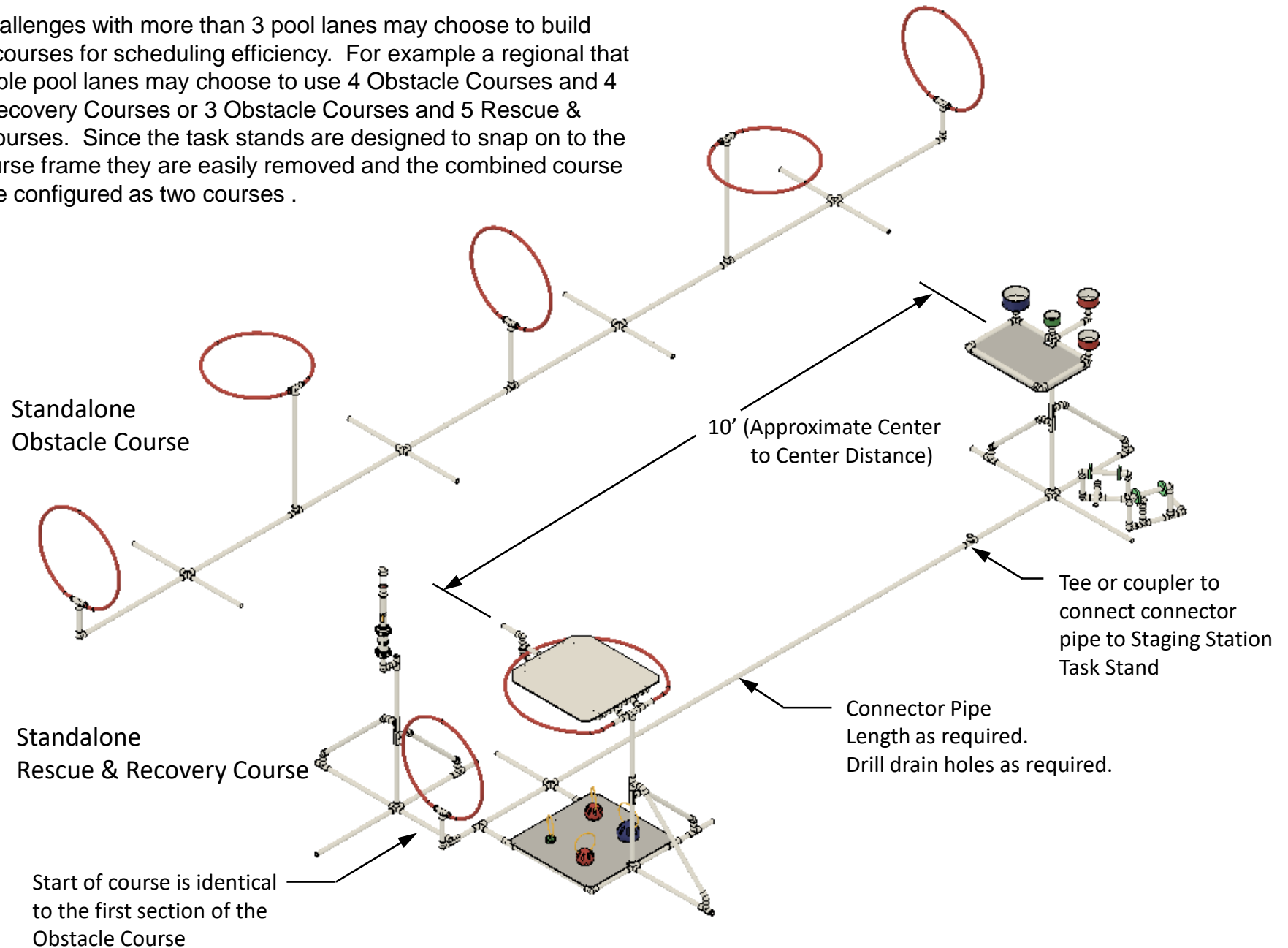


Staging Station Closeup View



Standalone Courses

Regional Challenges with more than 3 pool lanes may choose to build standalone courses for scheduling efficiency. For example a regional that has 8 available pool lanes may choose to use 4 Obstacle Courses and 4 Rescue & Recovery Courses or 3 Obstacle Courses and 5 Rescue & Recovery Courses. Since the task stands are designed to snap on to the obstacle course frame they are easily removed and the combined course can easily be configured as two courses.

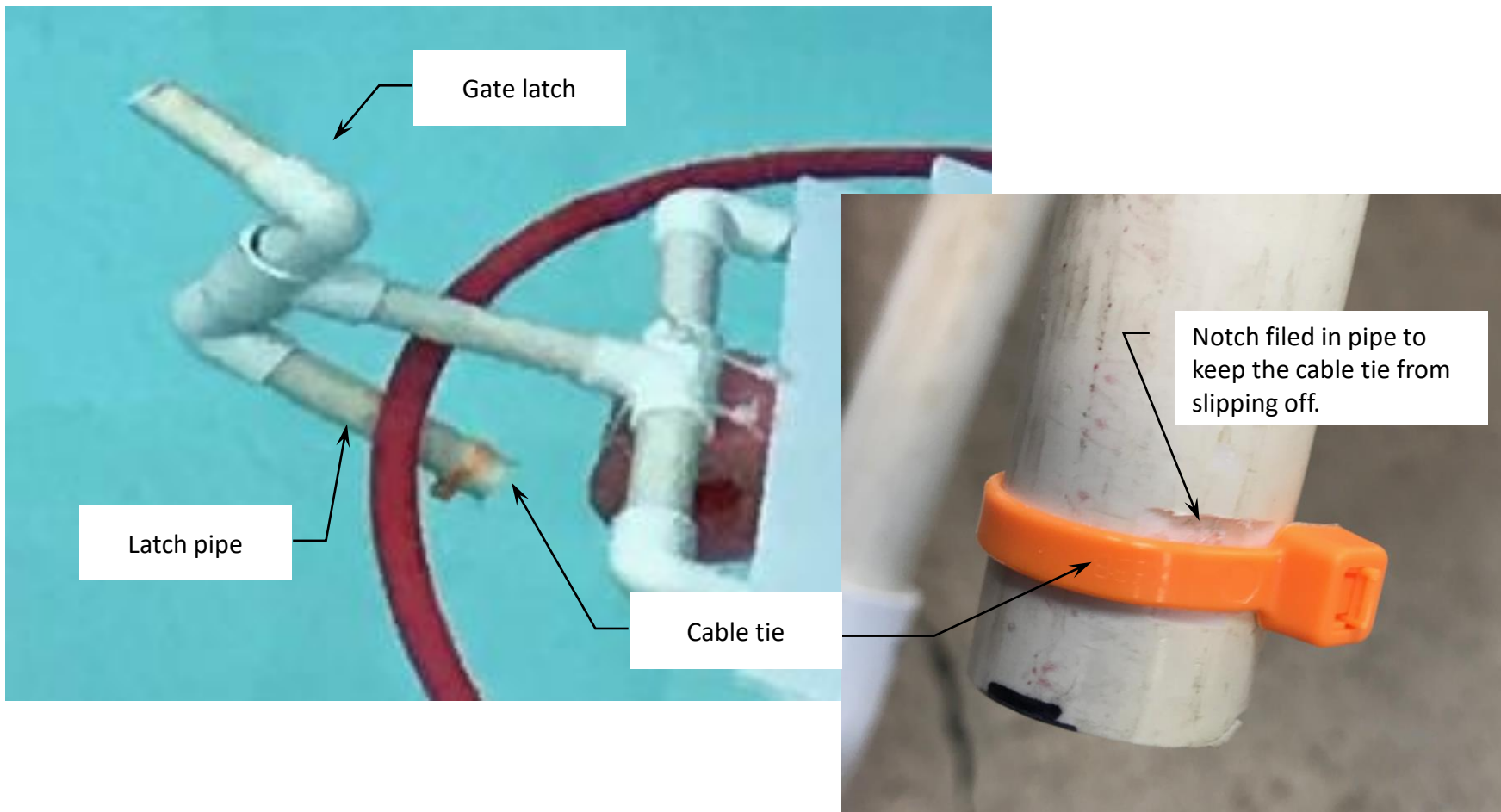




Vault Gate Latch Modification

The latch opens if the vault is bumped or if there is water disturbance around the vault. The simple fix is to attach a cable tie to the latch pipe. If more resistance is needed you could attach a pipe coupler. *Thanks to a regional challenge coordinator for this suggestion.*

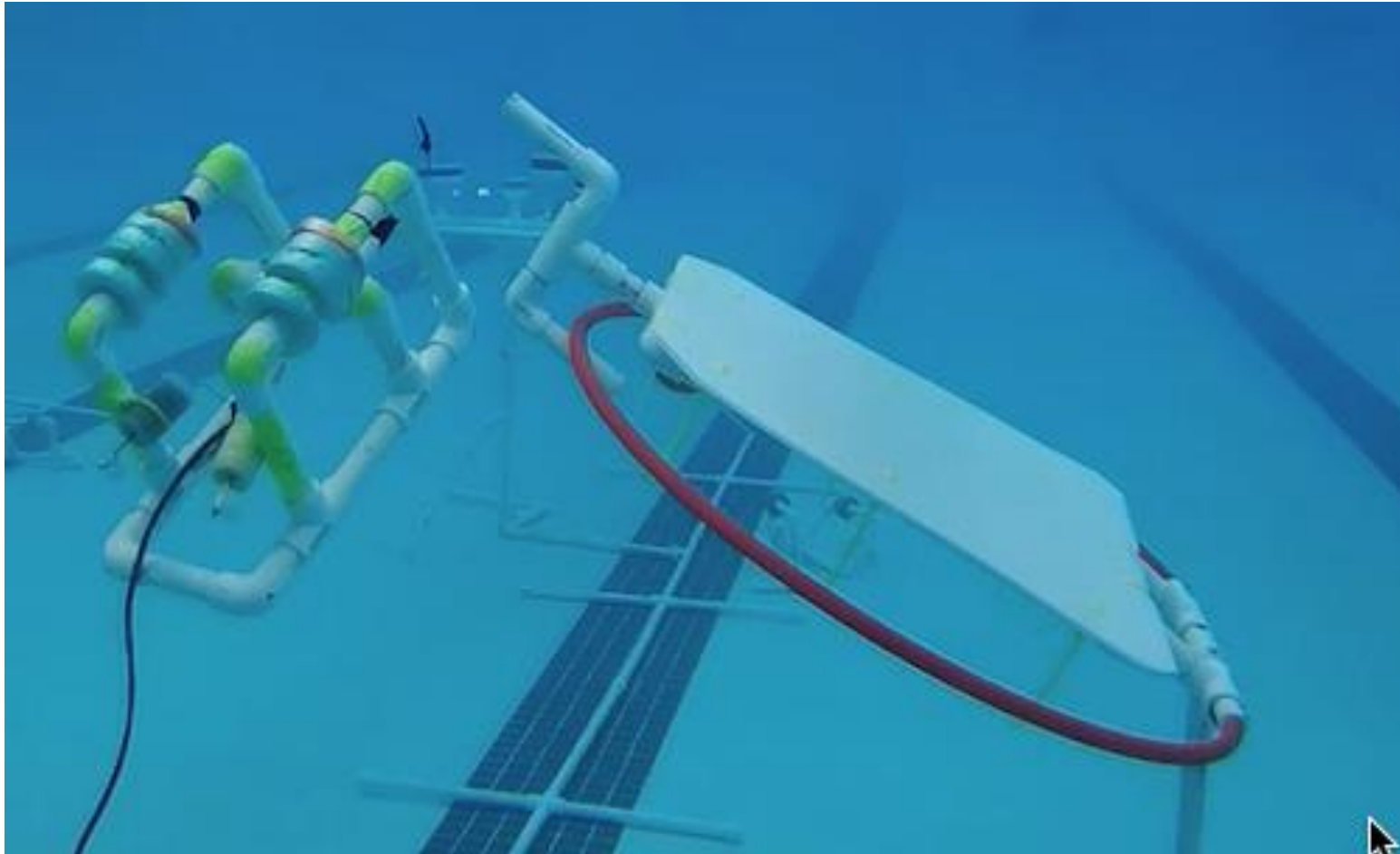
The latch pipe may need to be longer than the 2.5" length specified in the Course Build Guide. Test the gate assembly and adjust accordingly.





Vault Gate Buoyancy

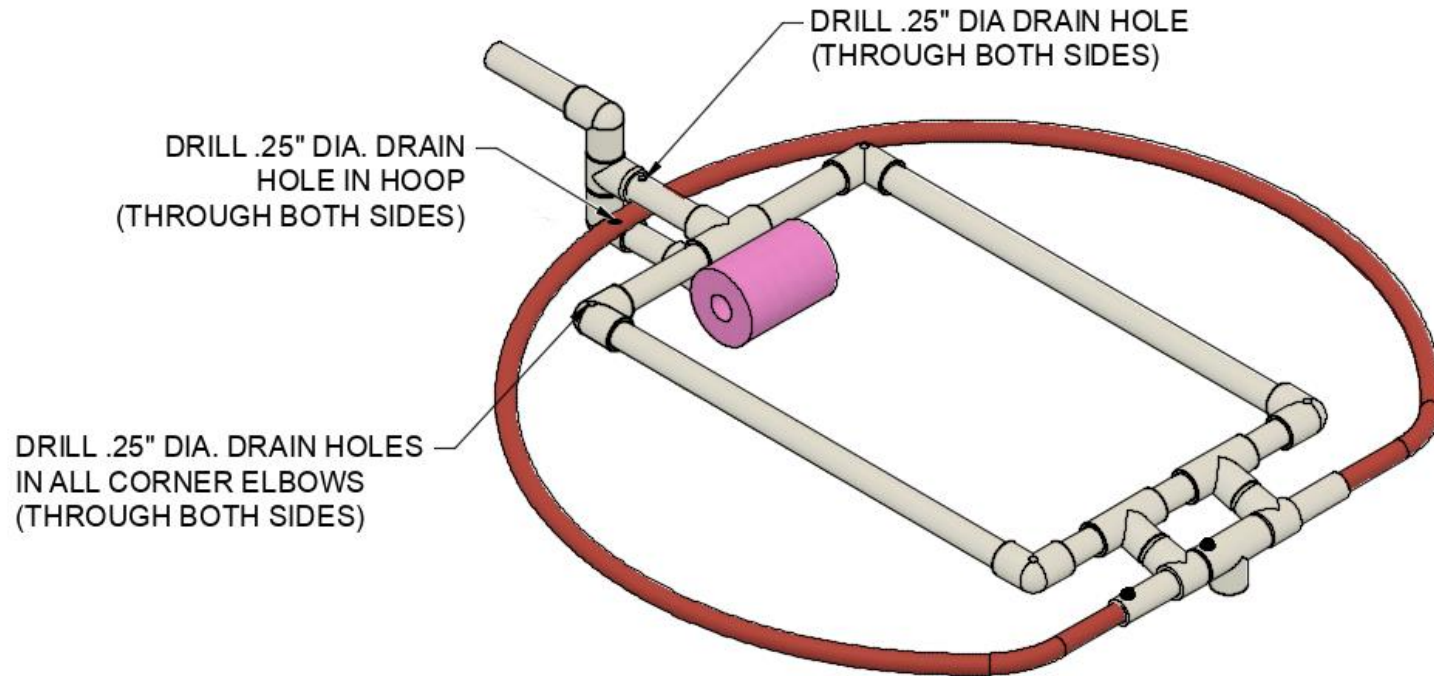
The gate shown in the picture has too much buoyancy which causes the hoop to lift at a steep angle. The simple solution is to cut small rings from the ends of the float to reduce the buoyancy. The gate must be tested to assure there is enough buoyant material to allow the gate to open.





Vault Gate Drain Holes

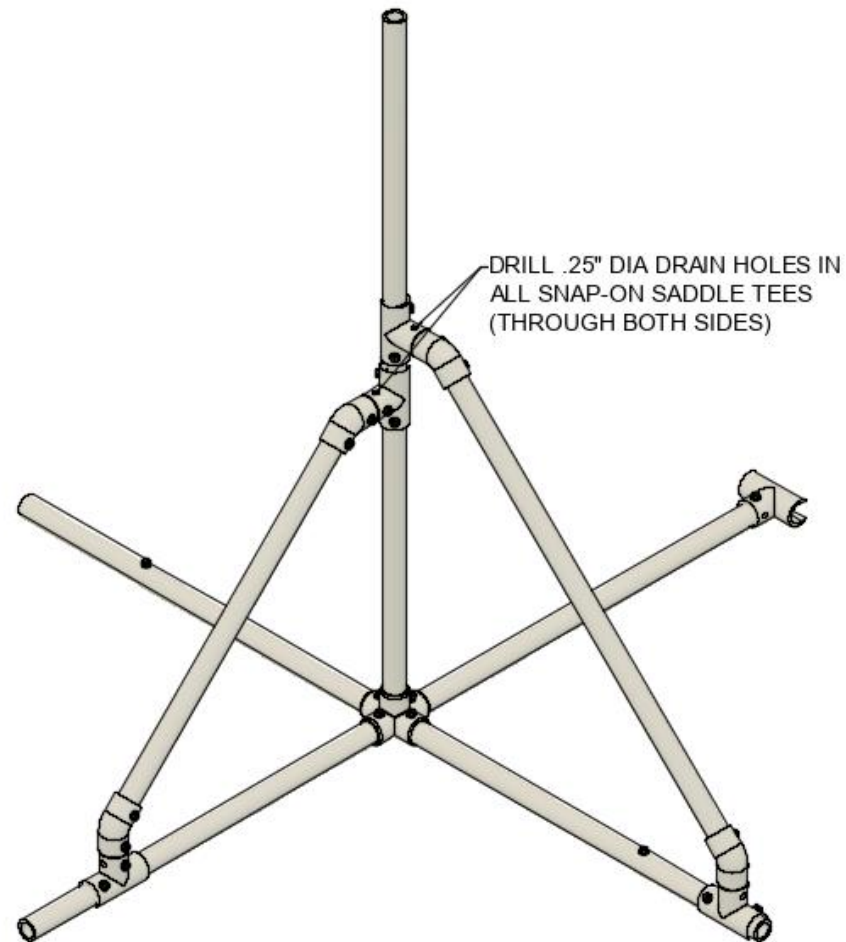
The Vault Gate frame and hoop require drain holes to allow flooding and drainage of water from the gate hoop and frame. Drill .25" (1/4") diameter holes as show.





Task Stands Drain Holes

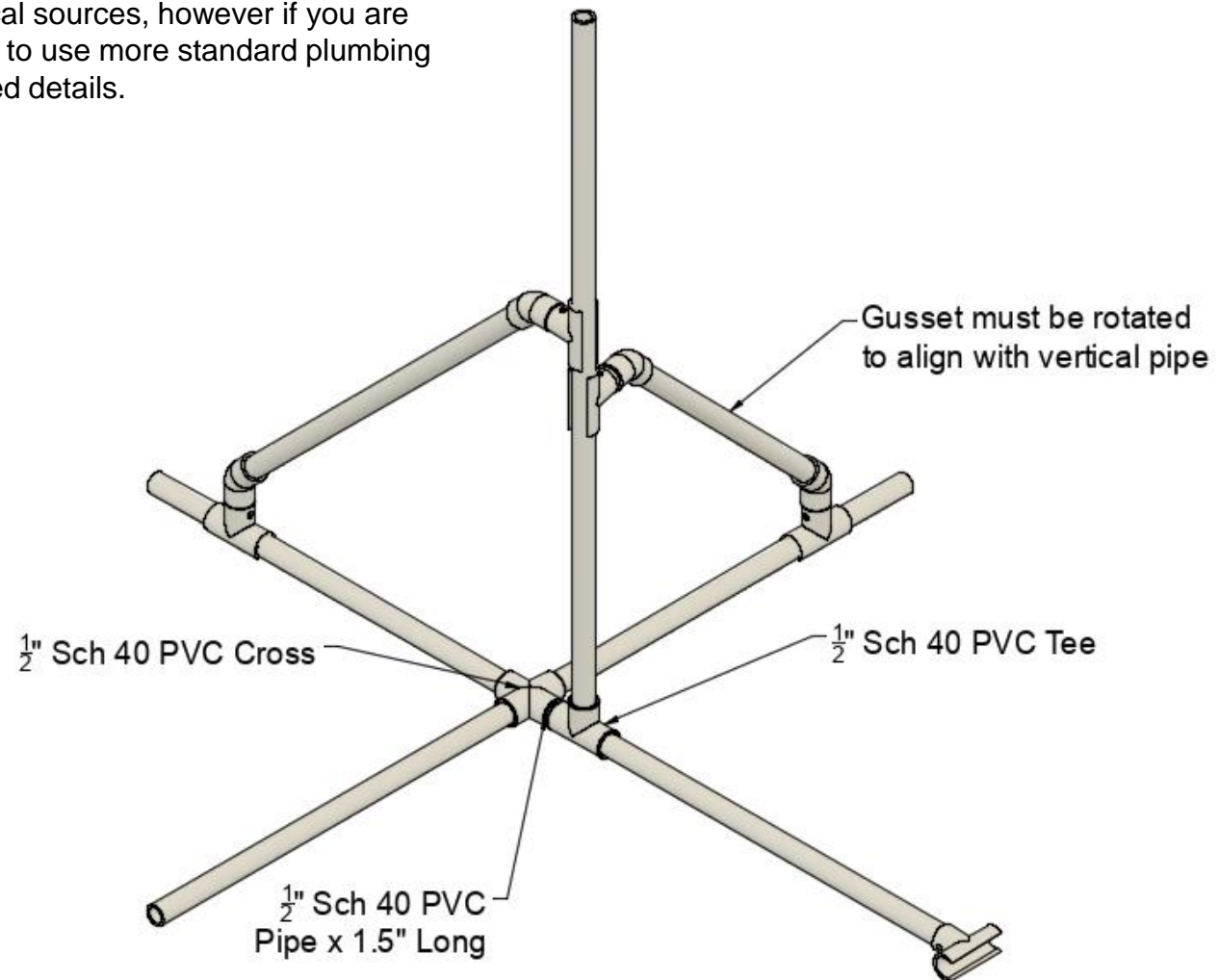
The Beacon Task Stand, Staging Station Task Stand, and the Vault Task Stand require drain holes to allow flooding and drainage of water from the gussets. Drill $\frac{1}{4}$ " (1/4") diameter holes as shown.





Task Stands without a 5-Way Tee

It is possible to build task stands without using the 5-way Tee that normally connects the base pipes and the vertical pipe. The 5-way Tees were used to reduce the number of components and center the vertical pipe over the base pipes. The 5-way Tees are readily available online and from some local sources, however if you are building the task stands and prefer to use more standard plumbing fittings the drawing provides needed details.





Leveling Task Stands on Sloped Pool Floor

Follow the instructions on page 14 to replace the 5-Way Tee. Rotate the Tee, vertical pipe, and Staging Station to level the Staging Station Assembly. Approximating the angle before putting the course in the water should be sufficient.

