

The Heist

Team

HS MS Open

Diver assist?
(add 2 min)

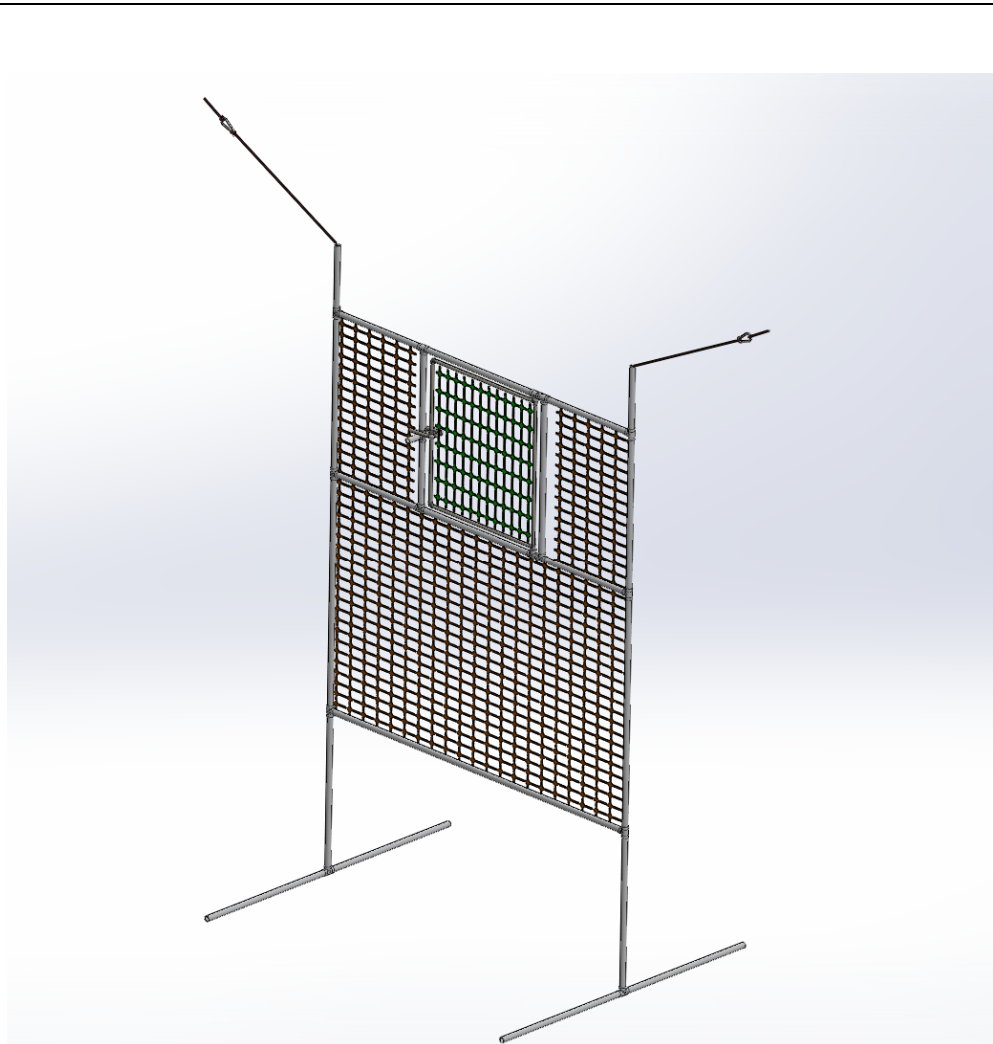
Points

(Max 7)

Elapsed Time

(in hundredths of a second):

_____.



Open Door (1 point)

Boxes in Laydown Area
(1 point each)

Points (Max 7)
